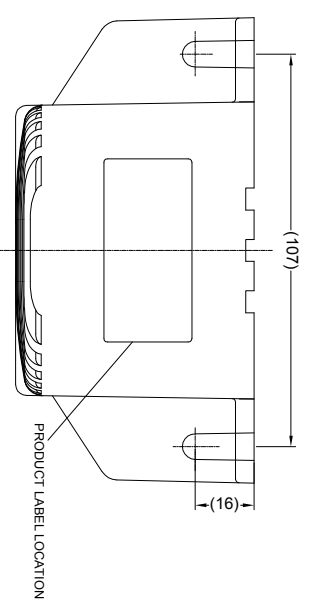
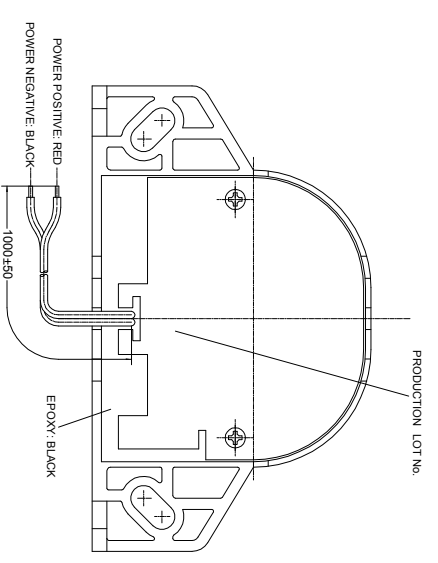
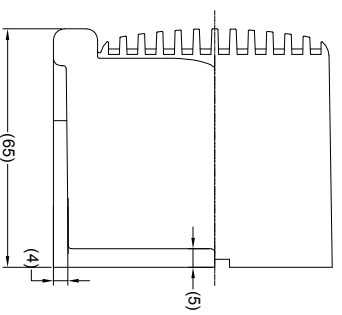
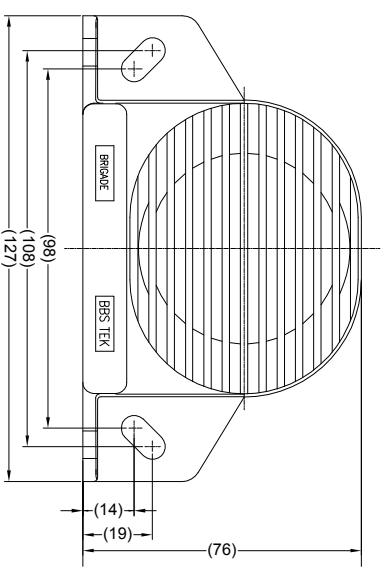


| | | | |
|---|--------------|-------------------|------------------|
| Revision Notes | | | |
| R1 - NOTES UPDATED TO INCLUDE LABEL DETAILS, STANDARDS UPDATED AS PER ECR CR- A274. | | | |
| AP: A. KILDA | Drawn: BATES | Checked: M.BUTLER | Approved: S.LITH |
| | | | Date: 28/08/14 |



- SPECIFICATION**
1. RATED VOLTAGE: 12-24 VOLTS DIRECT CURRENT (WORKING VOLTAGE RANGE 10 - 32 VOLTS)
 2. RATED CURRENT: 0.3 AMPERES OR LESS.
 3. SOUND PRESSURE: 97±4 DECIBELS AT TEST VOLTAGES OF 14-28 VOLTS. (AS MEASURED AT A DISTANCE OF 1.2 METERS AND AT A HEIGHT OF 1.2 METERS ABOVE THE GROUND)
 4. INTERMITTENCE: CONTINUATION
 5. TONE: WHITE SOUND
 6. CONFORMS TO: SAE J994.

- NOTES:**
1. FOR PRODUCT LABEL REFER TO LATEST REVISION OF DRAWING BE-002833-XX-14
 2. FOR GIFTBOX LABEL REFER TO LATEST REVISION OF DRAWING BE-002834-XX-14
 3. "R TRIANGLE" INDICATES CHANGES MADE TO REVISION OF DRAWING AS IDENTIFIED IN REVISION NOTES.



PROPRIETARY NOTICE
 THIS DESIGN AND TECHNICAL INFORMATION APPEARING ON THIS DRAWING IS THE PROPERTY OF BRIGADE ELECTRONICS, AND IS DISCLOSED IN CONFIDENCE. IT IS NOT TO BE COPIED, REPRODUCED, REVEALED TO OR EXPLOITED BY OTHERS, EITHER IN WHOLE OR IN PART WITHOUT THE EXPRESS WRITTEN CONSENT OF BRIGADE ELECTRONICS.

BRIGADE®
 www.brigade-electronics.com

| | | | | |
|--|---------------------------------------|------------------------------|------------------------------|--|
| Angle of Projection Third Angle | Assembly PI Approval DKERAL | Approved by DKERAL | Checked by DKERAL | Drawn by DKERAL |
| | Status RELEASED | Units mm | Scale N/A | Released 25/07/06 |
| | Part No #1393 | | Released CT-BBS-97 | Assembly Ref BE-000392-01-06 |